



# Submittal Data Sheet

## VSAD12-230, VSAD12-460A AUTO-DRAFT® INDUCERS

Job Name: \_\_\_\_\_

Equipment Rep: \_\_\_\_\_

Contractor: \_\_\_\_\_

Prepared By: \_\_\_\_\_

Arch./Engr.: \_\_\_\_\_

Date: \_\_\_\_\_

**Description:**

Exterior mount variable speed mechanical draft inducer is ETL Listed for vertical and sidewall venting. Assures a negative pressure throughout the entire vent system. Features integral stainless steel handles and hinged housing with removable hinge pin for ease of installation and service. Integral tilt switch stops fan operation if housing is opened. Includes motor winding and compartment Limit Switches and PSA-1 Fan Proving switch.

**Housing Construction:**

Venter housing is constructed of 5/32" Type 5052 aluminum and coated with bronze toned, high-temperature, corrosion resistant Ryton® PPS which offers the broadest resistance to chemicals of any advanced engineered plastic.

**Impeller Construction:**

Backward inclined Impeller is constructed of Type 304 stainless steel and computer balanced.

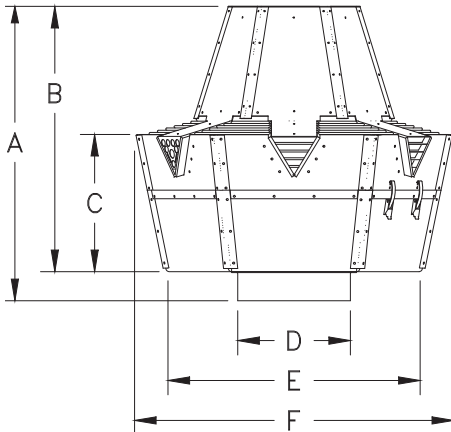
**Motor:**

Three phase, 208-230/460 VAC, permanently lubricated, sealed ball bearing. Variable speed.

Incorporates patented thermally actuated motor cooling system for extended motor life.

**Temperature Rating:**

U.S. 500° F  
Canada 575° F / 300° C



**Listings:**

ETL # 56826  
UL 378 - Draft Equipment / Variable Speed  
CSA-CAN3-B255-M81 / CSA-B140-M87



**Warranty:**

2 year mechanical  
10 year corrosion

**Standard Equipment:**

- 4" x 4" weatherproof junction box with 4' conduit
- PSA-1 Fan Proving Switch
- Mounting Plate
- Inlet Collar

**Optional Equipment:**

- RMK or WMK Series ETL approved Roof / Wall Mount kits
- ABD-Series Stainless Steel Adjustable Balancing Dampers 4-10", 12" & 14" models

**Optional Controls:**

- CPC-3 Constant Pressure Controller
- EXP-4E Expansion Module
- VFD-Series Variable Frequency Drives
- TD-2 Pressure Transducer

MODEL		VSAD12-230	VSAD12-460A
Fan Type		Centrifugal Impeller	Centrifugal Impeller
Voltage	VAC	3x208-230	3x460
RPM		2070	2070
Amps	A	6.2	3.1
Power Rating	hp	2	2
	kW	1.49	1.49
Weight	lbs	140	140
	kgs	63.49	63.49
Dimensions	<b>A</b>	in 28 3/4	28 3/4
		mm 730	730
	<b>B</b>	in 26 1/2	26 1/2
		mm 674	674
	<b>C</b>	in 13 5/8	13 5/8
		mm 348	348
	<b>D</b>	in 11 7/8	11 7/8
		mm 302	302
	<b>E</b>	in 26 3/16	26 3/16
		mm 665	665
	<b>F</b>	in 31 3/4	31 3/4
		mm 806	806
Motor Soft Start Required		Yes (1)	Yes (1)
Variable Speed Motor		Yes with VFD	Yes with VFD

(1) Must use a Tjernlund VFD which includes Soft Start.