

## TJERNLUND PRODUCTS, INC.

1601 Ninth Street • White Bear Lake, MN 55110-6794  
PHONE (800) 255-4208 • (651) 426-2993 • FAX (651) 426-9547  
Visit our web site • www.tjernlund.com

### PAI-G/GT/O SERIES REPLACEMENT FAN PROVER SWITCH INSTALLATION INSTRUCTIONS

**OWNERS INSTRUCTIONS  
THESE INSTRUCTIONS MUST  
REMAIN WITH EQUIPMENT  
DO NOT DESTROY**

**ALWAYS FOLLOW HEATER MANU-  
FACTURER'S INSTRUCTIONS FOR  
PROPER OPERATION OF HEATER  
AND RE-LIGHTING OF PILOT**

#### READ INSTRUCTIONS CAREFULLY PRIOR TO INSTALLATION

#### **WARNING**

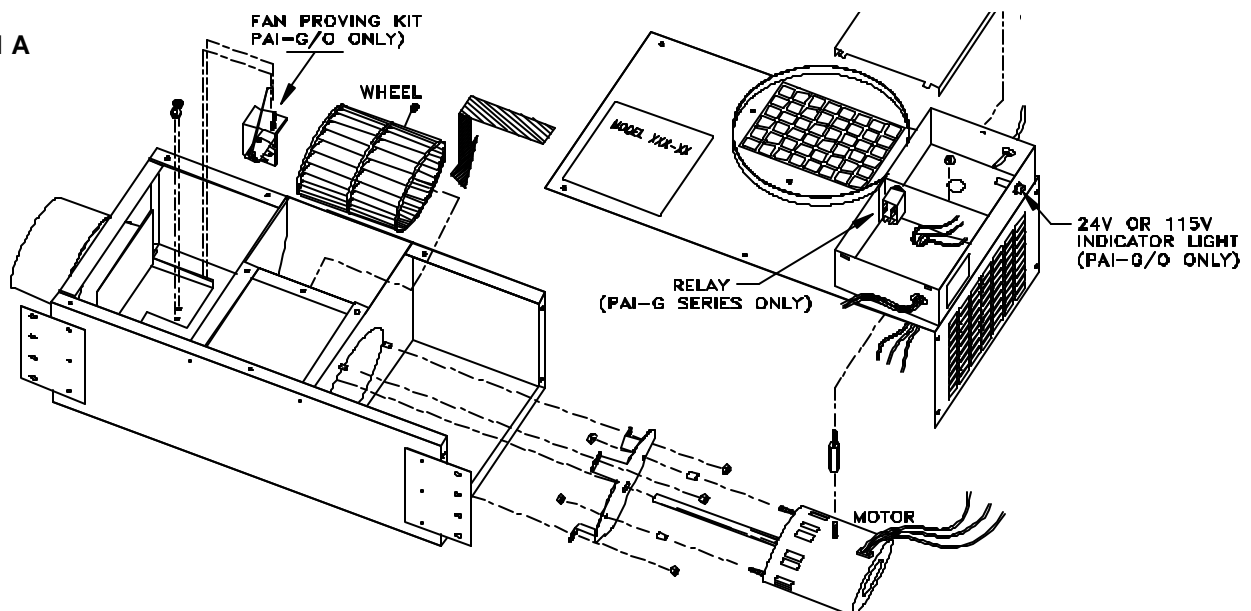
1. Disconnect electrical power before making wiring connections to prevent electrical shock and equipment damage.
2. All wiring must comply with applicable codes and ordinances.
3. When wiring is completed, check all components by running system through its entire heating cycle.

#### **IN-FORCERS with date codes prior to "9705"**

For the steps following below, refer to diagram A.

1. Remove (10) screws holding IN-FORCER housing together. If IN-FORCER is still mounted, support housing assembly to avoid damage to internal wiring connections or components.
2. Remove 11/32 nut on inside of IN-FORCER junction box which is connected to motor stud.
3. Carefully remove BLUE & YELLOW leads from Proving Switch. Loosen and remove (2) nuts which hold Fan Proving Switch assembly to damper assembly. Push Fan Proving Switch assembly through damper shelf and remove.
4. Remove new Proving Switch from box. The Proving Switch used in this application has studs requiring (2) nuts to fasten to damper housing. Bend of actuating wire should be pointed away from damper as shown.
5. Push female leads on new Proving Switch. Wire leads on switch should point in direction they enter damper cavity. The BLUE wire from IN-FORCER junction box should be connected to the COM terminal of Proving Switch and the YELLOW wire should be connected to N/O terminal of Proving Switch.
6. Reinstall PAI Proving Switch assembly to damper assembly with (2) nuts. Before reassembling IN-FORCER, check Proving Switch for free movement. Proper operation of Proving Switch can be verified by a "click" sound as switch opens and closes.
7. Follow reverse procedure in steps 1 & 2 to reassemble IN-FORCER. Verify proper heater and IN-FORCER operation.

**DIAGRAM A**



**▲ WARNING**

1. Disconnect electrical power before making wiring connections to prevent electrical shock and equipment damage.
2. All wiring must comply with applicable codes and ordinances.
3. When wiring is completed, check all components by running system through its entire heating cycle.

**IN-FORCERS with date codes after "9704"**

**For the steps following below, refer to diagram B.**

1. Remove (6) screws from bottom front and sides of IN-FORCER while holding blower assembly firmly.
2. Carefully slide blower assembly down until stops, hold it in place.
3. Carefully remove BLUE & YELLOW leads from Proving Switch. Loosen and remove (2) self-tapping screws that hold Proving Switch bracket to blower housing.
4. Remove new Proving Switch from box which has 2 holes in bracket and reinstall PAI Proving Switch to fan housing using (2) self-tapping screws provided. Firmly tighten switch bracket onto housing. Bend of actuating wire should be pointed away from damper as shown.
5. Push female leads on new Proving Switch. The BLUE wire from IN-FORCER junction box should be connected to the COM terminal of Proving Switch and the YELLOW wire should be connected to N/O terminal of Proving Switch.
6. Before reassembling IN-FORCER, check Proving Switch for free movement. Proper operation of Proving Switch can be verified by a "click" sound as switch opens and closes.
7. Follow reverse procedure in steps 1 & 2 to reassemble IN-FORCER. Verify proper heater and IN-FORCER operation.

**DIAGRAM B**

