



TJERNLUND PRODUCTS, INC.

1601 Ninth Street • White Bear Lake, MN 55110-6794
PHONE (800) 255-4208 • (651) 426-2993 • FAX (651) 426-9547
Visit our web site • www.tjernlund.com

(950-0685) TERMINUS DRIP DEFLECTOR KIT

KIT INCLUDES: (1) Terminus Drip Deflector

INSTALLATION STEPS

- 1.) Remove bottom screw from Terminus. Be careful not to lose spacer between Terminus flanges.
- 2.) Remove caulk from bottom of Terminus between interior flange and wall.
- 3.) Insert Drip Deflector between Terminus interior flange and wall. Hole in Drip Deflector must line up with holes in Terminus flanges, (Diag. A).
- 4.) Reinstall screw removed in step 1. Make sure spacer is still between Terminus flanges, (Diag. A)
- 5.) Apply caulk around Drip Deflector and Terminus interior flange, (Diag. B).

REV. 4/95

© 1995 Tjernlund Products, Inc. All rights reserved.

DIAGRAM A

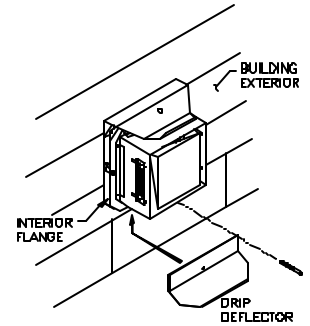
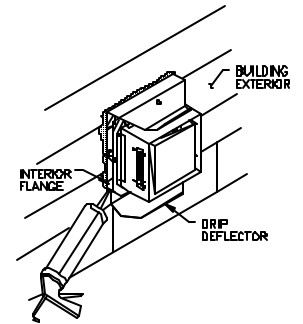


DIAGRAM B



P/N 8504065